

DS-2CE79H8T-AIT3ZF 5 MP Ultra-Low Light Camera



Key Feature

- 5 MP, 2560 × 1944 resolution
- Ultra-low light
- 130 dB true WDR, 3D DNR
- 2.7 mm to 13.5 mm varifocal lens, auto focus
- Smart IR, up to 60 m IR distance
- 4 in 1 video output (switchable TVI/AHD/CVI/CVBS)
- IP67



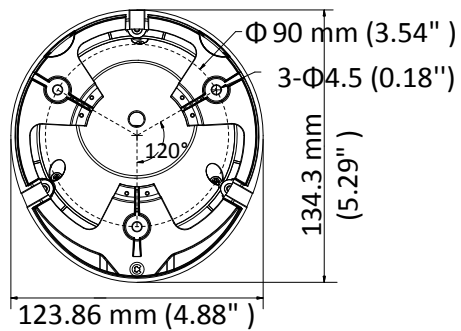
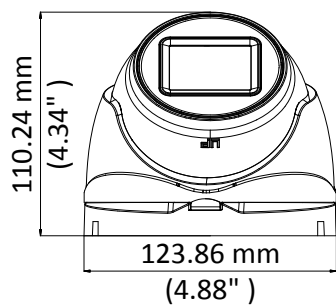
Specification

| Camera | |
|--------------------------|--|
| Image Sensor | 5 MP CMOS |
| Signal System | PAL/NTSC |
| Resolution | 2560 (H) × 1944 (V) |
| Min. Illumination | 0.003 Lux @ (F1.2, AGC ON), 0 Lux with IR |
| Frame Rate | TVI: 5MP@20fps, 4MP@25fps, 4MP@30fps, 2MP@25fps, 2MP@30fps AHD: 5MP@20fps, 4MP@25fps, 4MP@30fps CVI: 4MP@25fps, 4MP@30fps CVBS: PAL, NTSC |
| Shutter Time | PAL: 1/25 s to 1/50, 000 s NTSC: 1/30 s to 1/50, 000 s |
| Lens | 2.7 mm to 13.5 mm motorized varifocal lens |
| Horizontal Field of View | 92.3° to 29.3° |
| Lens Mount | Φ 14 |
| Day & Night | ICR |
| WDR (Wide Dynamic Range) | ≥130 dB |
| Angle Adjustment | Pan: 0° to 360°; Tilt: 0° to 75°; Rotate: 0° to 360° |
| Menu | |
| Image Mode | STD/HIGH-SAT |
| AGC | Yes |
| Day/Night Mode | Auto/Color/BW (Black and White) |
| White Balance | Auto/Manual |
| AE (Auto Exposure) Mode | WDR/BLC/Global |
| Privacy Mask | 4 programmable privacy masks |
| Motion Detection | 4 programmable motion areas |
| Noise Reduction | 3D DNR |
| Language | English |
| Function | Brightness, Sharpness, Mirror, Smart IR |
| Interface | |
| Video Output | Switchable TVI/AHD/CVI/CVBS |
| General | |
| Operating Conditions | -40 °C to 60 °C (-40 °F to 140 °F), humidity: 90% or less (non-condensing) |
| Power Supply | 12 VDC ± 20%, 24 VAC ± 20% |
| Power Consumption | Max. 10.5 W |
| Protection Level | IP67 |
| Material | Metal |
| IR Range | Up to 60 m |
| Communication | HIKVISION-C |
| Dimensions | 123.86 mm × 134.3 mm × 110.24 mm (4.88" × 5.29" × 4.34") |
| Weight | Approx. 630 g (1.39 lb.) |

Order Model

DS-2CE79H8T-AIT3ZF

Dimension



Accessory



DS-1273ZJ-130-TRL
Wall Mount



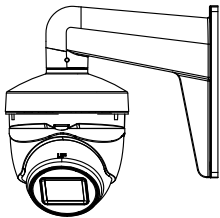
DS-1275ZJ-SUS
Vertical Pole Mount



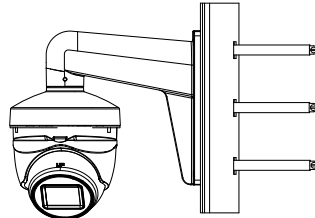
DS-1276ZJ-SUS
Corner Mount



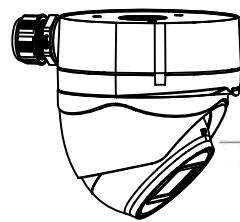
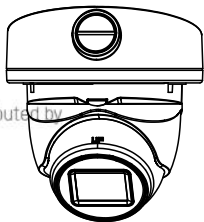
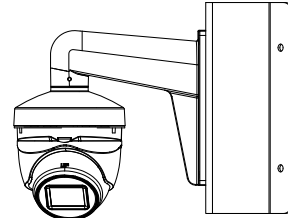
DS-1280ZJ-M
Junction Box



DS-1281ZJ-M
Inclined Ceiling Mount



DS-1280ZJ-TR12
Wall Mount



Distributed by

HIKVISION®

Headquarters

No.555 Qianmo Road, Binjiang District,
Hangzhou 310051, China
T +86-571-8807-5998
overseasbusiness@hikvision.com

Hikvision USA
T +1-909-895-0400
sales.usa@hikvision.com

Hikvision Australia
T +61-2-8599-4233
salesau@hikvision.com

Hikvision India
T +91-22-28469900
sales@pramahikvision.com

Hikvision Canada
T +1-866-200-6690
sales.canada@hikvision.com

Hikvision Thailand
T +662-275-9949
sales.thailand@hikvision.com

Hikvision Europe
T +31-23-5542770
sales.eu@hikvision.com

Hikvision Italy
T +39-0438-6902
info.it@hikvision.com

Hikvision Brazil
T +55 11 3318-0050
Latam.support@hikvision.com

Hikvision Turkey
T +90 (216)521 7070- 7074
sales.tr@hikvision.com

Hikvision Malaysia
T +601-7652-2413
sales.my@hikvision.com

Hikvision UK & Ireland
T +01628-902140
sales.uk@hikvision.com

Hikvision South Africa
Tel: +27 (10) 0351172
sale.africa@hikvision.com

Hikvision France
T +33(0)1-85-330-450
info.fr@hikvision.com

Hikvision Kazakhstan
T +7-727-9730667
nikia.panfilov@hikvision.ru

Hikvision Vietnam
T +84-974270888
sales.vt@hikvision.com

Hikvision UAE
T +971-4-4432090
salesme@hikvision.com

Hikvision Singapore
T +65-6684-4718
sg@hikvision.com

Hikvision Spain
T +34-91-737-16-55
info.es@hikvision.com

Hikvision Tashkent
T +99-87-1238-9438
uzb@hikvision.ru

Hikvision Hong Kong
T +852-2151-1761
info.hk@hikvision.com

Hikvision Russia
T +7-495-669-67-99
saleru@hikvision.com

Hikvision Korea
T +82-(0)31-731-8817
sales.korea@hikvision.com

Hikvision Poland
T +48-22-460-01-50
info.pl@hikvision.com

Hikvision Indonesia
T +62-21-2933759
Sales.Indonesia@hikvision.com

Hikvision Colombia
sales.colombia@hikvision.com